

STOVAX  GAZCO

# Chesterfield

Gas • Electric • Wood • Multi-fuel



*Showroom Exclusive*



# Inspired Design. **Now in gas, electric, wood and multi-fuel.**

The first Chesterfield 5 was designed to burn wood. It reimagined classic stove styling with a firmly modern take. Tasteful bevelling and an elegant Rose Scroll door handle, in harmony with clean lines, sweeping curves and an exceptional flame view.

Now this timeless stove is available in extraordinarily realistic gas and electric versions. Designed and engineered in Britain, Chesterfield 5 gas and electric stoves are built using the same cast iron and premium steel construction as our original woodburner.

So whichever fuel type suits your lifestyle, this iconic stove will become the heart of your home.





**NEW  
FOR  
2021**

# Chesterfield 5 Gas stoves

The Chesterfield 5 Gas bridges the gap between authenticity and convenience. Tall, rolling flames dance among highly realistic log and ember effects, with multiple flame ports ensuring a varied and life-like display. And all at the touch of a button.

For enhanced visual depth and clarity, our EchoFlame Black Glass lines the stove's firebox and reflects the flames from the sides and rear.

Out of sight, our advanced gas fire technology ensures this innovative stove provides a high-efficiency heat output. Heat and flame height are easy to adjust with the thermostatic remote control.



## Key Features

- Heat output: up to 4.0kW
- High Efficiency: CF: 76% / BF: 90.6%
- Energy Efficiency Class: **CF: D BF: B**
- Fully-sequential thermostatic Remote Control
- EchoFlame Black Glass lining
- Conventional and balanced flue models
- Natural Gas and LPG
- Optional Linerless Flue Kit (eliminates need for chimney to be fully lined)

**ECHOFLAME™**  
BLACK GLASS LINING



**View the Video**

at: [gazco.com/chesterfield](http://gazco.com/chesterfield)

*Innovative Engineering*

# Elegant & Effortless

## Chesterfield 5 **Electric stove**

The Chesterfield 5 Electric creates a mesmerising display. Our signature Chromalight technology projects captivating flame visuals that appear between the highly realistic log effects, whilst illuminating the fuel bed from above and below.

A life-like bed of ember media glows and darkens beneath the log effects, with a palette of vibrant colour settings on hand to suit your mood.

For effortless year-round ambience, the Chesterfield 5's visuals and thermostatic heat are all controlled with the stove's powerful remote control - putting everything at your fingertips.



### Key Features

- Up to 1.5kW thermostatic heating
- Chromalight® Immersive LED systems
- Three different flame options: Amber, Blue, Amber with Blue Accent
- 13 fuel bed lighting colours and Spectrum Mode
- Choice of Log, Pebble and Crystal Ice-effect fuel beds that can be mixed and matched
- Flames and fuel effect lighting can be enjoyed without the heat
- Programmable Thermostatic Eco Remote Control
- Open window detection efficiency feature
- Ecodesign Energy Saving Features

 **chromalight**<sup>®</sup>  
IMMERSIVE LED SYSTEM



**View the Video**  
at: [gazco.com/chesterfield](https://gazco.com/chesterfield)

*Gazco Chesterfield 5 Electric stove*

**NEW  
FOR  
2021**



Stovax Chesterfield 5 Wide  
Multi-fuel Ecodesign stove. Shown  
with ceramic wood-effect beam.



Pure Presence

## Chesterfield 5 & 5 Wide Wood & Multi-fuel stoves

Delivering exceptional solid fuel heating performance to your home, Chesterfield 5 woodburning and multi-fuel stoves meet requirements for use in smoke control zones in urban areas. Burning with low emissions, they also exceed future Ecodesign air quality requirements.

Alongside the 5, the Chesterfield 5 Wide delivers the same heat output with a slimline profile and enhanced flame view.

Please see back cover for additional image.

### Key Features

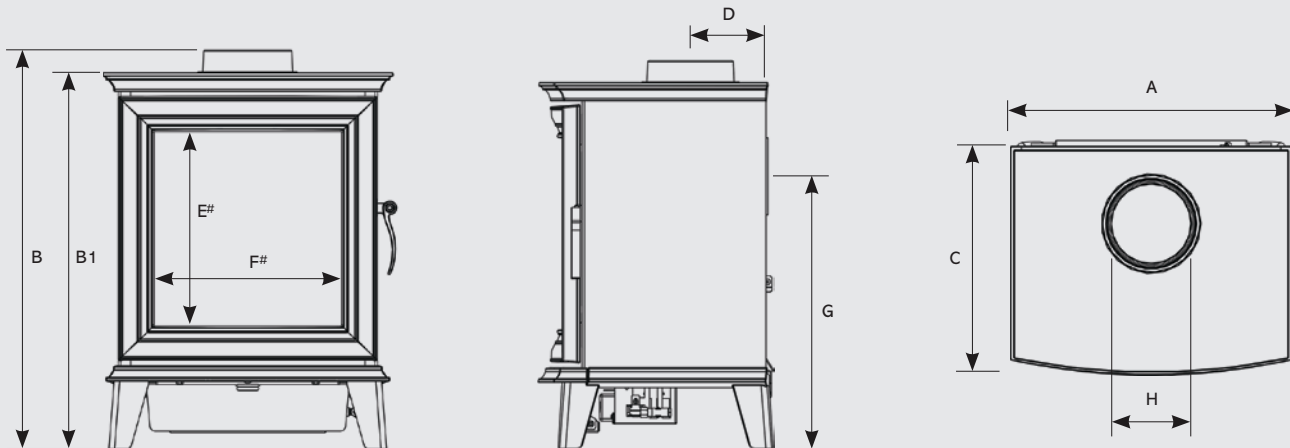
- Nominal Heat Output: 5kW Heat Output Range: 2.5 - 7kW
- Maximum Efficiency: **Chesterfield 5:** Up to 80% / **Chesterfield 5 Wide:** Up to 79%
- Energy Class: **Chesterfield 5:** A+ / **Chesterfield 5 Wide:** A
- Ecodesign Ready\*
- Woodburning and multi-fuel models
- Smoke Control Area Exempt as standard
- Convector Heat Systems allow low distance to combustibles
- Cleanburn & Airwash Systems
- Dedicated External Air Kit (optional)
- Short and long leg options
- Suitable for 12mm hearths



**View the Video**  
at: [stovax.com/chesterfield](https://stovax.com/chesterfield)

\* Chesterfield 5 woodburning and multi-fuel and Chesterfield 5 Wide multi-fuel models only.

# Dimensions



	A	B	B1	C	D	E#	F#	G	H
Chesterfield 5 Gas	472	672	614	391	140	316	304	456	128
Chesterfield 5 Electric	472	-	614	391	-	316	304	-	128
Chesterfield 5 Wood & Multi-fuel	472	-	614	397	110	WB: 317 / MF: 278	305	494	128
Chesterfield 5 Wide Wood & Multi-fuel	581	-	702	357	110	WB: 410 / MF: 359	412	561	128

# Glass Viewing Area

Further technical information for wood and multi-fuel stoves including long leg options can be found in our Stovax Stoves brochure, alternatively visit: [www.stovax.com](http://www.stovax.com).

All dimensions are in mm.



*Stovax Chesterfield 5 woodburning Ecodesign stove Shown with Claremont Antique White Marble mantel*

**STOVAX**  **GAZCO**

Stovax Ltd Falcon Road, Sowton Industrial Estate,  
Exeter, Devon, England EX2 7LF

Gazco Trade Sales: 01392 261900 • Stovax Trade Sales: 01392 474000  
Email: [info@gazco.com](mailto:info@gazco.com) • [info@stovax.com](mailto:info@stovax.com)

Export sales: 00 44 1392 261990 • Export Email: [exportsales@stovax.com](mailto:exportsales@stovax.com)

[stovax.com](http://stovax.com)



You can find your nearest retailer by visiting:  
[www.stovax.com/retailers](http://www.stovax.com/retailers)



CFIELDADD0321



© All material copyright Stovax Ltd 2021 E & O E