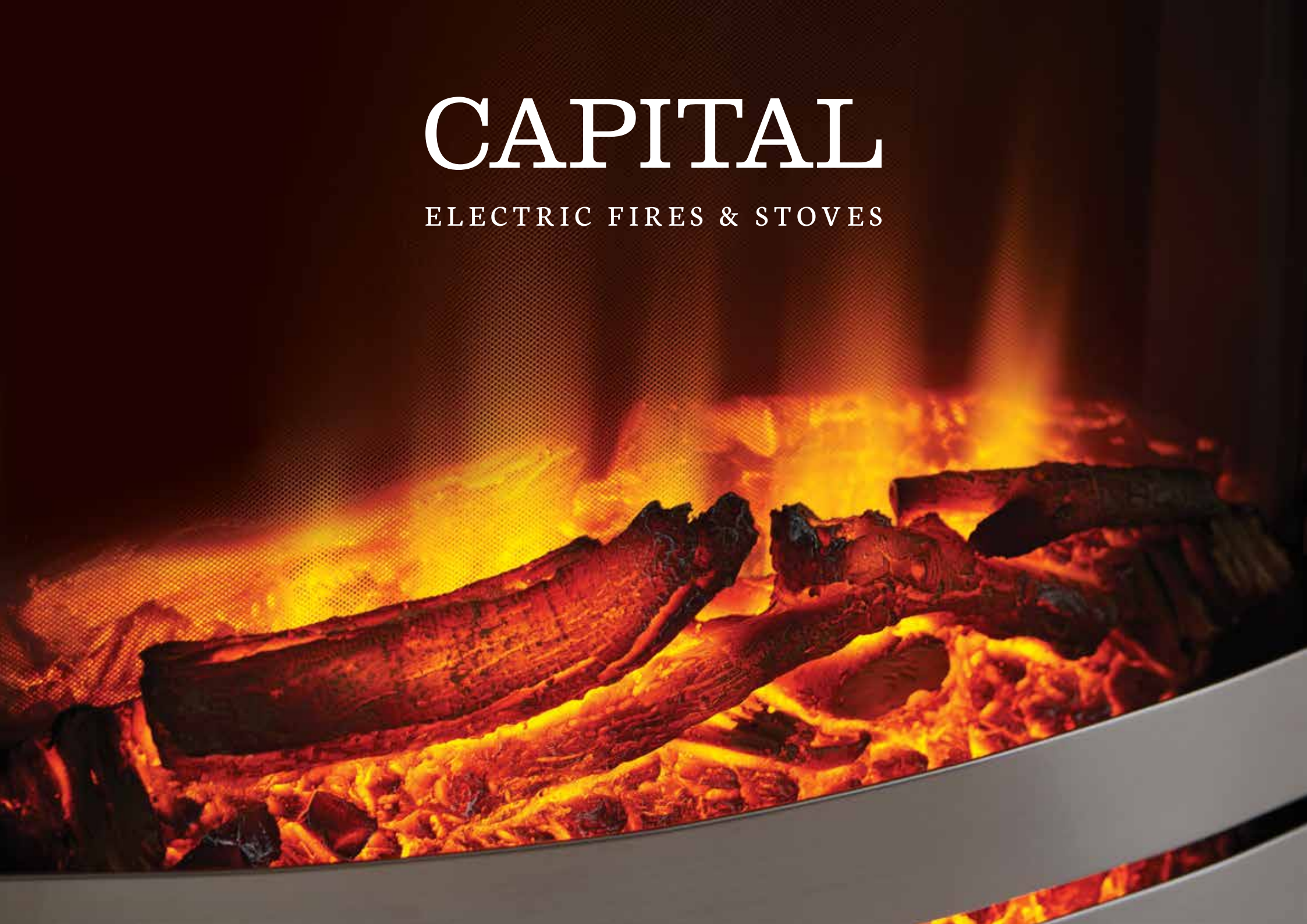


CAPITAL

ELECTRIC FIRES & STOVES





etronic 3D flame technology

Introducing Capital's latest innovative range of highly efficient, authentic and stylish electric fires.

The focus of your living space, these fires feature our **etronic 3D** effect technology for an ultra realistic, relaxing flame pattern and three dimensional, glowing log fuel bed - cleverly tapered to give the illusion of a deeper fire.

Supplied with an infrared remote control as standard, these stunning electric fires have been designed and manufactured with optimal controllability, enabling you to turn the fire on and off from the comfort of your armchair, set the desired temperature and adjust the brightness of the flames and fuel bed to suit your mood. For efficient and automatic control, our fires also feature a 7 day programmer.

What's more, our electric fires come with a 2 year Warranty upon registration or upgrade to our Platinum Warranty Plan for added peace of mind up to 5 years.

For more information about our products, please visit our website www.capitalfireplaces.co.uk



SLE42s





900-
1800w

output



dimensions

on page 12



eTronic 3D

flame technology



infrared remote

supplied as standard

SLE40i





1-2

kW output



dimensions

on page 13



eTronic 3D
flame technology



infrared remote

supplied as standard



only 75mm

inset depth



freestanding

spacer available*

Choose your cast frame **design**



elara*



capella



mizar



abri



flare

Then pick your **finish**



black



bronze



dark lustre



polished



antique brass



brushed copper

*elara fireframe only available in polished, black and antique brass

1-2

kW output



dimensions

on page 13



eTronic 3D
flame technology



infrared remote

supplied as standard



only 75mm

inset depth



freestanding

spacer available*

trims & frets



trim & bauhaus fret **chrome**



trim & bauhaus fret **black**



trim & bauhaus fret **brass**



trim & bauhaus fret **polished**



trim & baltimore fret **polished**



trim & baltimore fret **black**



trim & blenheim fret **brass**

contemporary fascias & classic fireframes



contemporary fascia **brass**



contemporary fascia **brushed**



contemporary fascia **black**



classic provident fireframe **highlight**



classic provident fireframe **black**



classic halo fireframe **black**

1-2

kW output



dimensions

on page 13



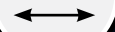
etronic 3D
flame technology



infrared remote

supplied as standard

75mm



only 75mm

inset depth

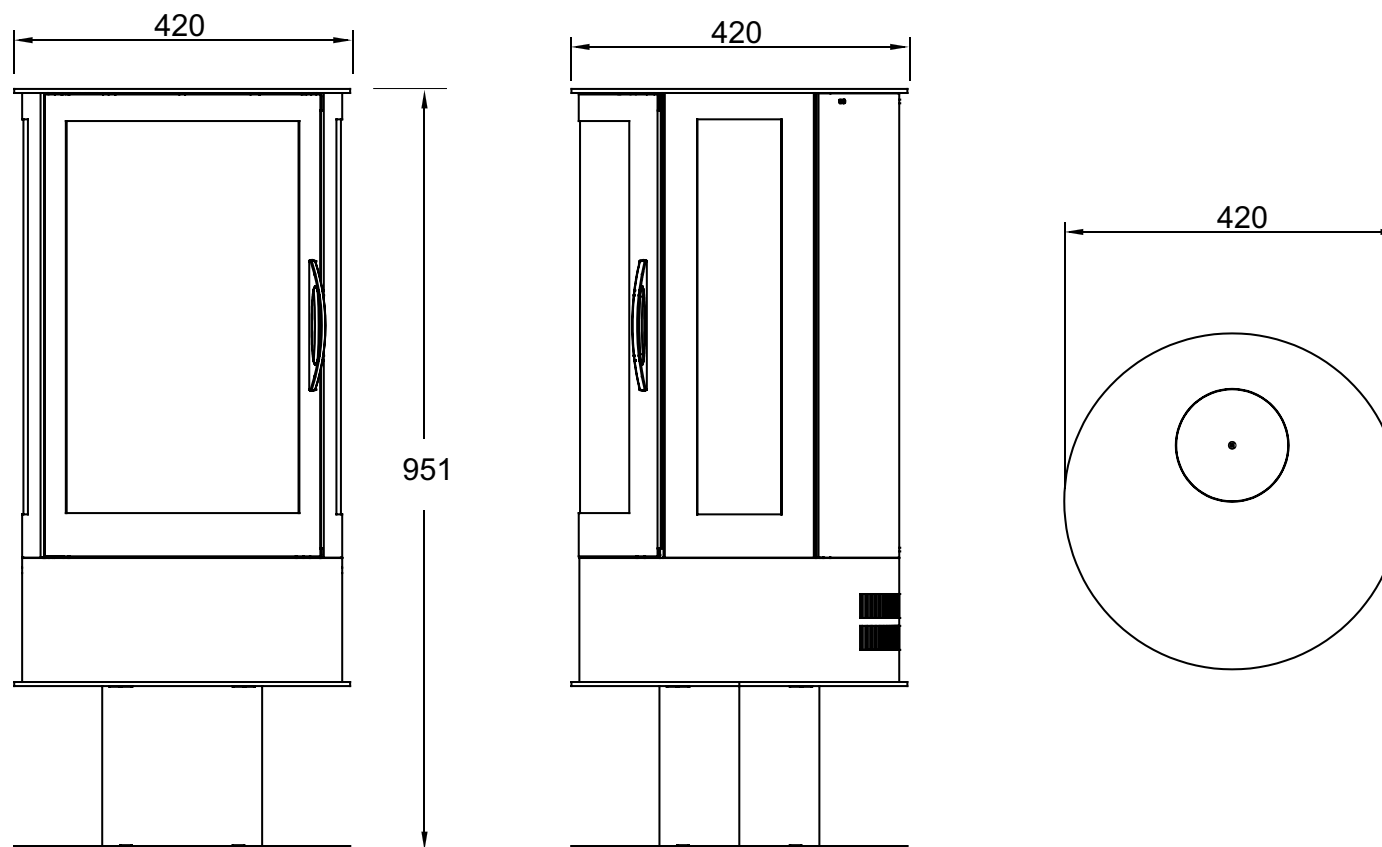


freestanding

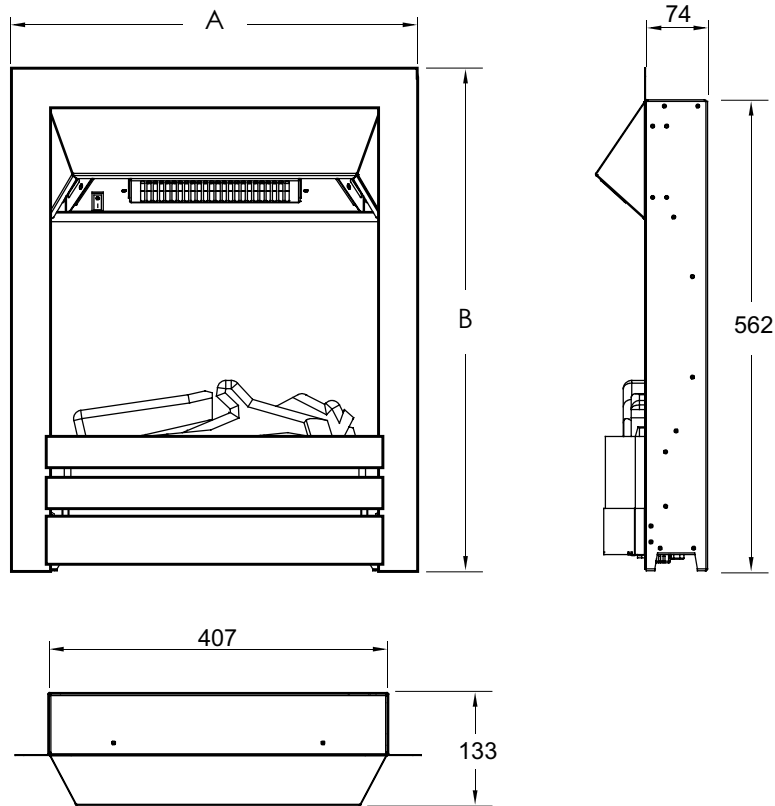
spacer available*

dimensions

SLE42s



SLE40i



SLE40i with Fireframe/Trim & Fret		
	A (Width)	B (Height)
Mizar & Elara Fireframes	520	615
Abri Fireframe	520	655
Capella Fireframe	520	615
Flare Fireframe	520	635
Contemporary Fascia	495	608
Classic Provident Fireframe	590	740
Classic Halo Fireframe	602	662
Trim & Fret	510	610

*The **SLE40i freestanding spacer frame** is suitable with the Mizar & Elara Cast Iron Fireframes, Contemporary Fascias and Trim & Frets

electric warranty

All Capital electric fires come with a standard 1 year warranty extendable to 2 years on registration.
Any fire purchased outside of our authorised dealer network will carry a 1 year non-extendable warranty.

To activate your extended warranty, please register your fire online at www.capitalfireplaces.co.uk/electric-warranty within 30 days of the purchase date. Any fires registered after this period will carry a 1 year non-extendable warranty.
Please visit our website for full terms and conditions and to upgrade to our 5 year Platinum warranty.

where to buy

The Capital range is distributed via our authorised dealer network. These independent retailers are able to give you advice on all aspects of your fireplace requirements from quotations to technical and installation services.
For details of your nearest Capital retailer, please visit our website at www.capitalfireplaces.co.uk



CAPITAL

ELECTRIC FIRES & STOVES

marketing@capitalfireplaces.co.uk | www.capitalfireplaces.co.uk