

ARADA
— DEVON —



SIMPLY GAS

Putting warmth at the heart of the home

Ecoburn Gas Medium (Series 3)



Ecoburn Gas Medium Series 3 shown with conventional flue

The Ecoburn Gas stove features the same classic visual features as our Ecoburn multi fuel stoves. This log-effect gas fire is available in LPG or natural gas-compatible versions and with either a conventional or balanced flue, so you need not have a standard brick chimney or built-in flue.

Features

- Natural Gas or LPG models available
- Conventional or balanced Flue models available
- Remote control included as standard

One of the greatest reasons for choosing a gas stove is their convenience. Settling in for the evening with the Ecoburn Gas stove and its easy-to-use remote control - included as standard - means you can adjust the heat output and flame picture without leaving your comfy sofa!

- Adjustable heat output and flame height
- Available in seven colours
- Clear view glass screen
- Lifetime guarantee on the stove body

Dimensions

	Conventional Flue	Balanced Flue
Width	456 mm	456 mm
Height	609 mm	633 mm
Depth	399 mm	445 mm

Output

	Conventional Flue			Balanced Flue	
	Natural Gas	LPG (Propane)	LPG (Butane)	Natural Gas	LPG (Propane/Butane)
Useful Energy Efficiency	86 %	83 %	83 %	83 %	82.5 %
Energy Efficiency	B	D	C	C	C
Direct Heat Output	4.4 kW	3.5kW	3.7 kW	4.5 kW	Up to 4.5kW



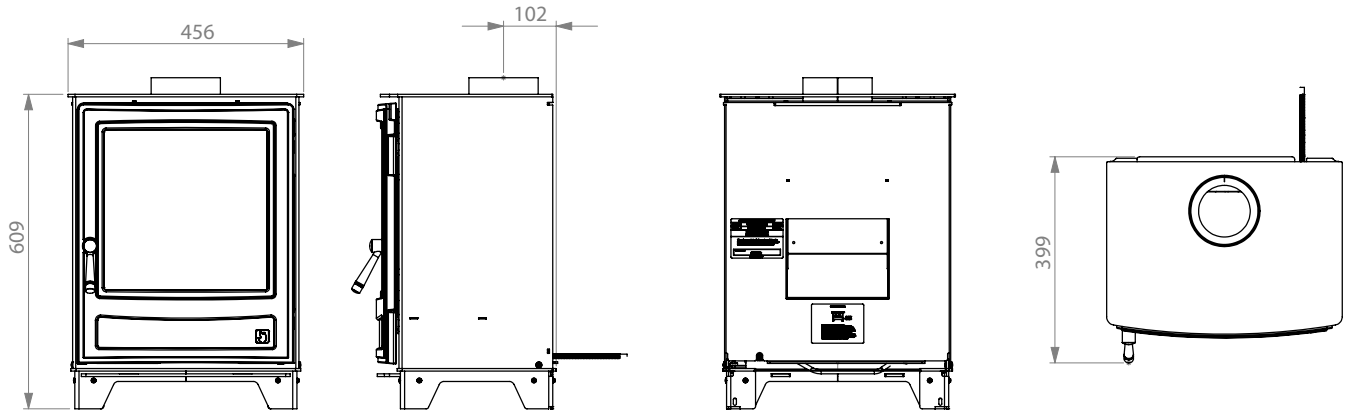
Ecoburn Gas Medium



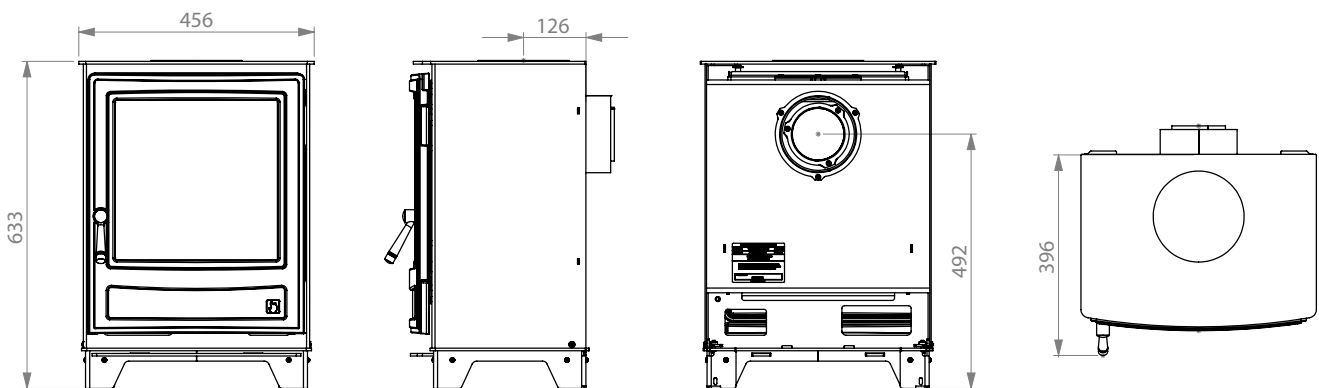
Easy to use remote control

Ecoburn Gas Medium (Series 3)

ECOBURN GAS MEDIUM - CONVENTIONAL FLUE



ECOBURN GAS MEDIUM - BALANCED FLUE



Features

Remote thermostatic control	Yes
Remote timer control	Yes
Flame supervision safety	Oxygen depletion system
Ecodesign Ready	Yes
Suitable for non-combustible 12mm hearth	Yes

Flue

Approved Conventional Flue Class Type

B11 (Class1, 2 and pre-cast)

Approved Balanced Flue Class Types

C11 roof terminals, C31 wall terminal
C91 wall terminal snorkel type

Gas performance	Conventional Flue			Balanced Flue	
	G20 (natural Gas)	G31 (propane)	G30 (butane)	G20/G25/G25.3 NG (Avg.)	G30 / G31 LPG (Avg.)
Supply Pressure (measured at test elbow) [mbar]	20	37	29	20 / 25	30 - 50
Nominal Heat Input Gross (Hs) [kW]	5	4.4	4.5	4 - 5	5 / 5.5
Min Heat Input Gross (Hi) [kW]	2.3	1.8	2.7	3.6 - 4.5	4.6 / 5.1
Gas Consumption At Max Rate [M3/hr]	0.47	0.157	0.121	0.58	0.196
Gas Consumption At Min Rate [M3/hr]	0.22	0.061	0.074	0.47	0.164
Nox [mg/KWh]	95	97	98	76	81
Efficiency Class	1				
Gas Connection	8mm compression				
Remote Gas Valve	TESC01 RF868-15				

We recommend this appliance is installed with clearance of 100mm to non-combustible materials
Installation and operating instructions for this stove are available online at www.aradastoves.com.



Holborn Gas Medium shown with conventional flue

The Holborn Gas stove features the same classic visual features as our Holborn multi fuel stoves. This log-effect gas fire is available in LPG or natural gas-compatible versions and with either a conventional or balanced flue, so you need not have a standard brick chimney or built-in flue.

Features

- Natural Gas or LPG models available
- Conventional or balanced Flue models available
- Remote control included as standard

One of the greatest reasons for choosing a gas stove is their convenience. Settling in for the evening with the Holborn Gas stove and its easy-to-use remote control - included as standard - means you can adjust the heat output and flame picture without leaving your comfy sofa!

- Adjustable heat output and flame height
- Available in seven colours
- Clear view glass screen
- Lifetime guarantee on the stove body

Dimensions

	Conventional Flue	Balanced Flue
Width	472 mm	472 mm
Height	637 mm	661 mm
Depth	402 mm	447 mm

Output

	Conventional Flue			Balanced Flue	
	Natural Gas	LPG (Propane)	LPG (Butane)	Natural Gas	LPG (Propane/Butane)
Useful Energy Efficiency	86 %	83 %	83 %	83 %	82.5 %
Energy Efficiency	B	D	C	C	C
Direct Heat Output	4.4 kW	3.5kW	3.7 kW	4.5 kW	Up to 4.5kW



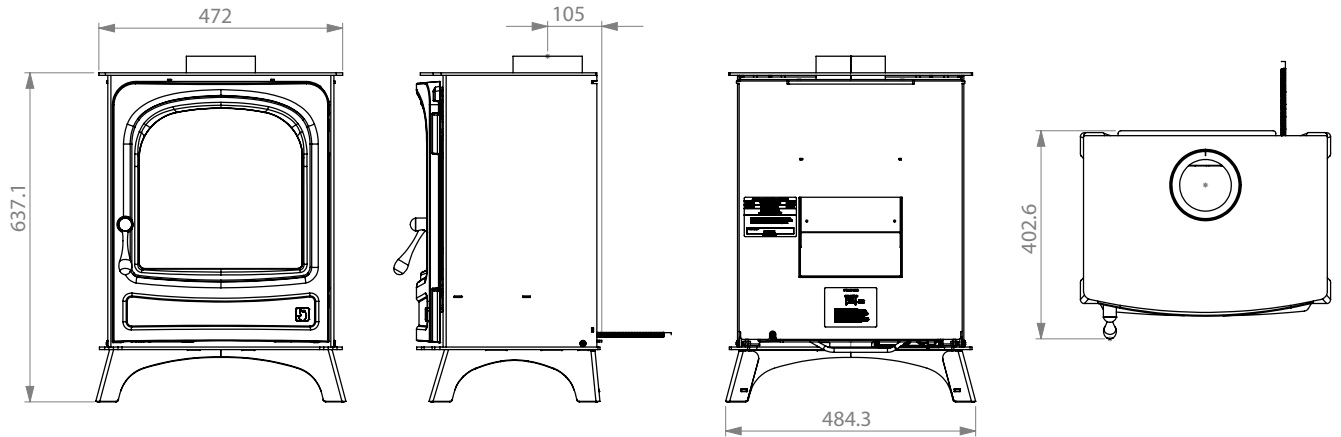
Available in seven colours (Sandcastle Cream shown)



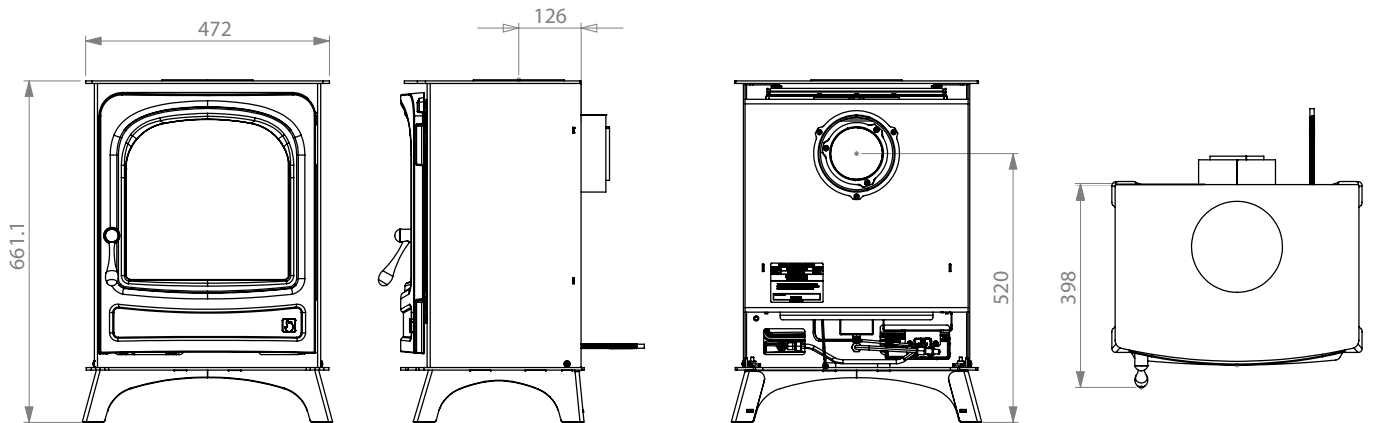
Easy to use remote control

Holborn Gas Medium

HOLBORN GAS MEDIUM - CONVENTIONAL FLUE



HOLBORN GAS MEDIUM - BALANCED FLUE



Features

Remote thermostatic control	Yes
Remote timer control	Yes
Flame supervision safety	Oxygen depletion system
Ecodesign Ready	Yes
Suitable for non-combustible 12mm hearth	Yes

Flue

Approved Conventional Flue Class Type

B11 (Class1, 2 and pre-cast)

Approved Balanced Flue Class Types

C11 roof terminals, C31 wall terminal
C91 wall terminal snorkel type

Gas performance	Conventional Flue			Balanced Flue	
	G20 (natural Gas)	G31 (propane)	G30 (butane)	G20/G25/G25.3 NG (Avg.)	G30 / G31 LPG (Avg.)
Supply Pressure (measured at test elbow) [mbar]	20	37	29	20 / 25	30 - 50
Nominal Heat Input Gross (Hs) [kW]	5	4.4	4.5	4 - 5	5 / 5.5
Min Heat Input Gross (Hi) [kW]	2.3	1.8	2.7	3.6 - 4.5	4.6 / 5.1
Gas Consumption At Max Rate [M3/hr]	0.47	0.157	0.121	0.58	0.196
Gas Consumption At Min Rate [M3/hr]	0.22	0.061	0.074	0.47	0.164
Nox [mg/KWh]	95	97	98	76	81
Efficiency Class	1				
Gas Connection	8mm compression				
Remote Gas Valve	TESC01 RF868-15				

We recommend this appliance is installed with clearance of 100mm to non-combustible materials
Installation and operating instructions for this stove are available online at www.aradastoves.com.